

**ACBR - ACTIVE CHILLED BEAM RECESSED**

**OPTIONS:**

- INSTALLATION ORIENTATION (SEE PAGE 2)
- COIL LOCATION (SEE PAGE 4)
- INLET LOCATION (SEE PAGE 4)
- INLET DAMPER (SEE PAGE 5)
- VOLUME FLOW REGULATOR (SEE PAGE 6)

**NOZZLE SIZE:**

- 406
- 506
- 608
- 605
- 603
- 601

**COIL TYPE:**

- 2P1C-NODV - 2 PIPE, 1 CIRCUIT
- 2P2C-NODV - 2 PIPE, 2 CIRCUIT
- 4P1C-NODV - 4 PIPE, 1 CIRCUIT
- 4P2C-NODV - 4 PIPE, 2 CIRCUIT
- 2P1C-DV - 2 PIPE, 1 CIRCUIT W/ DRAIN AND VENTS
- 2P2C-DV - 2 PIPE, 2 CIRCUIT W/ DRAIN AND VENTS
- 4P1C-DV - 4 PIPE, 1 CIRCUIT W/ DRAIN AND VENTS
- 4P2C-DV - 4 PIPE, 2 CIRCUIT W/ DRAIN AND VENTS

**COIL CONNECTION:**

- SWT - 1/2" SWEAT
- FNPT - 1/2" NPT - FEMALE
- MNPT - 1/2" NPT - MALE

**INLET SIZE:**

- 3 - 3" ROUND INLET
- 4 - 4" ROUND INLET (DEFAULT)
- 5E - 5" OVAL EQUIVALENT INLET (4" X 6")
- 6E - 6" OVAL EQUIVALENT INLET (4" X 7")
- \* 5", 6" INLET ONLY AVAILABLE IN C/D/E INLET LOCATIONS

**LINT SCREEN:**

- NONE (DEFAULT)
- LS - LINT SCREEN

**DRAIN PAN:**

- NONE (DEFAULT)
- DP - DRAIN PAN
- \* DRAIN PAN ONLY AVAILABLE FOR VD, VU ORIENTATION

**INSULATION:**

- NONE (DEFAULT)
- INT - INTERNAL 1/2" FIBERFREE
- EXT - EXTERNAL 1/2" FIBERFREE
- INEX - INTERNAL AND EXTERNAL

**PROTECTIVE FILM:**

- NONE (DEFAULT)
- PF - PROTECTIVE FILM ON WATER COIL, INLET, AND OUTLET

**FINISH:**

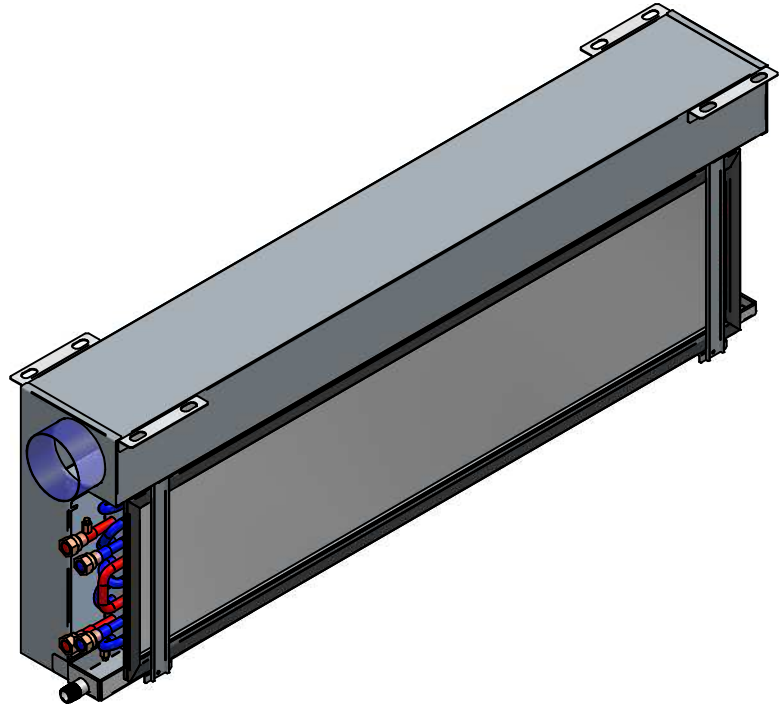
- NONE - UNPAINTED GALVANNEAL (DEFAULT)
- SPL - SPECIAL COLOR

**ELEVATION:**

- SEA LEVEL
- HIGH ALTITUDE \_\_\_\_\_ FT

**NOTES:**

- STANDARD CONSTRUCTION: 24 GAUGE CASING CONSTRUCTION (STEEL)
- FACTORY TOLERANCE: ± 1/32"



\*\* VIEW ABOVE SHOWN WITH LINT SCREEN AND DRAIN PAN OPTIONS SELECTED.

\*\* SEE SUBMITTAL 248924 FOR AVAILABLE HOSE AND VALVE PACKAGES.

\*\* SEE PRICE CATALOG SECTIONS A AND D FOR SUPPLY / INDUCTION DIFFUSERS & GRILLES, TRANSITIONS TO BE FIELD FABRICATED & INSTALLED BY OTHERS.

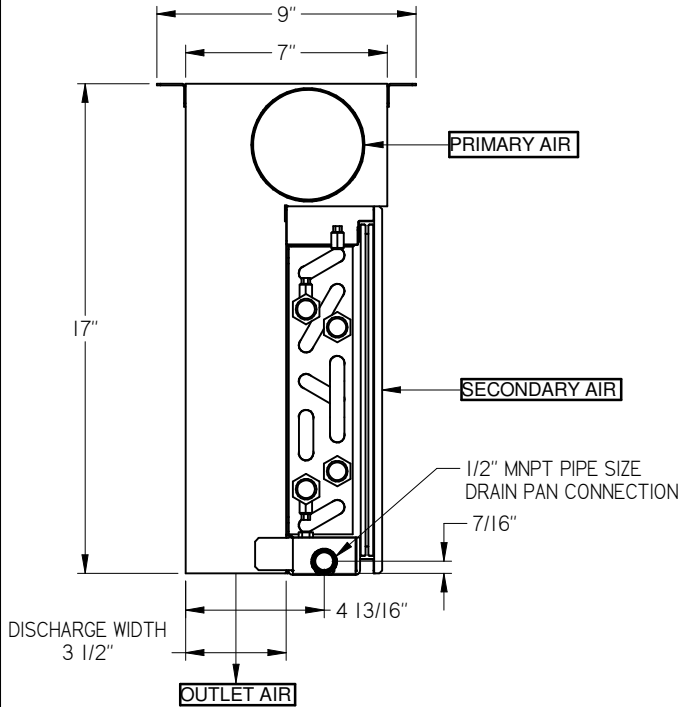
NOMINAL LENGTH	UNIT WEIGHT	
	DRY (LBS)	WET (LBS)
24	36	38
36	53	57
48	69	74
60	86	92
72	102	109
84	119	127
96	135	144

<b>PROJECT:</b>		<b>PRICE</b>	
		<b>KHH</b>	<b>ACBR ACTIVE CHILLED BEAM RECESSED</b>
<b>ENGINEER:</b>		268015	
<b>CUSTOMER:</b>			
<b>SUBMITTAL DATE:</b>	<b>SPEC. SYMBOL:</b>	2022/07/29	

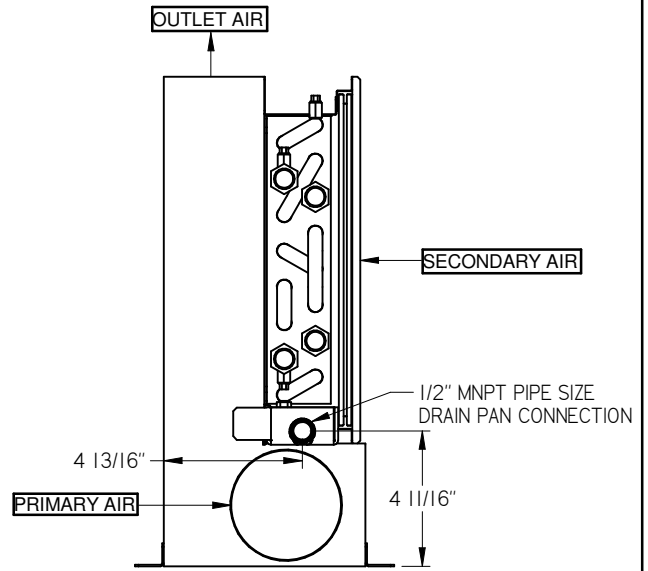
**ACBR - ACTIVE CHILLED BEAM RECESSED**

**INSTALLATION ORIENTATION:**

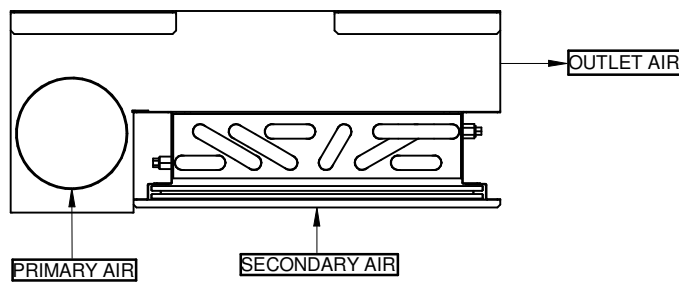
- H - HORIZONTAL DISCHARGE
- VD - VERTICAL DOWN DISCHARGE
- VU - VERTICAL UP DISCHARGE



VD (VERTICAL DOWN)  
ORIENTATION



VU (VERTICAL UP)  
ORIENTATION



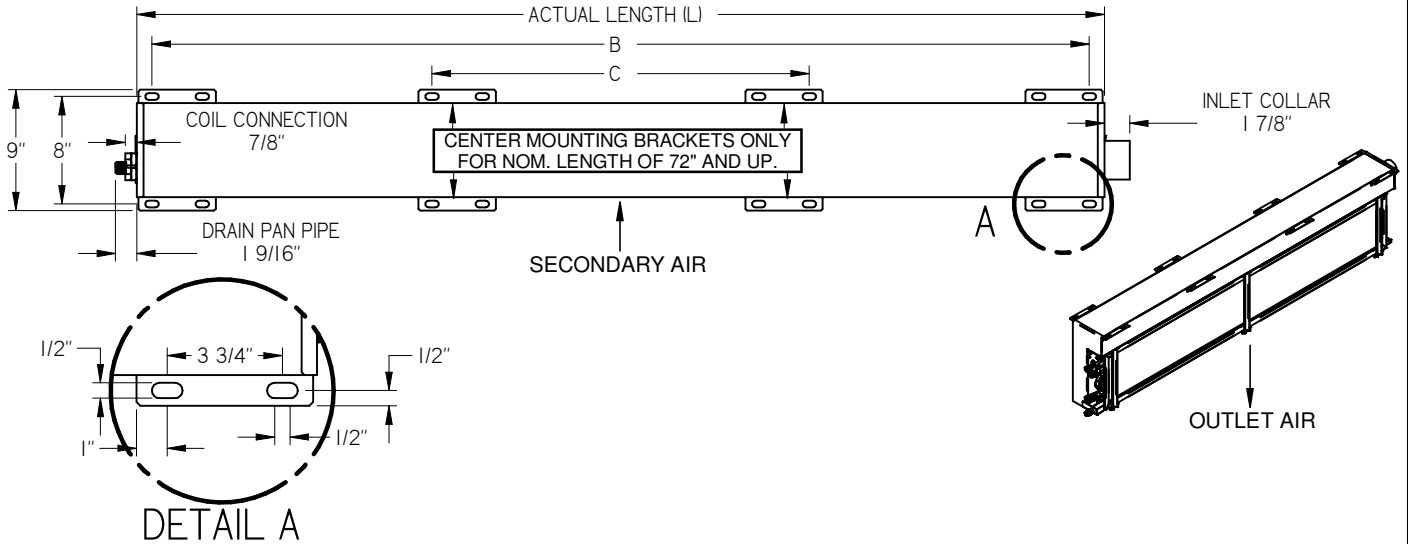
H (HORIZONTAL)  
ORIENTATION

\*\* NOTE: DRAIN PAN NOT AVAILABLE FOR HORIZONTAL ORIENTATION.

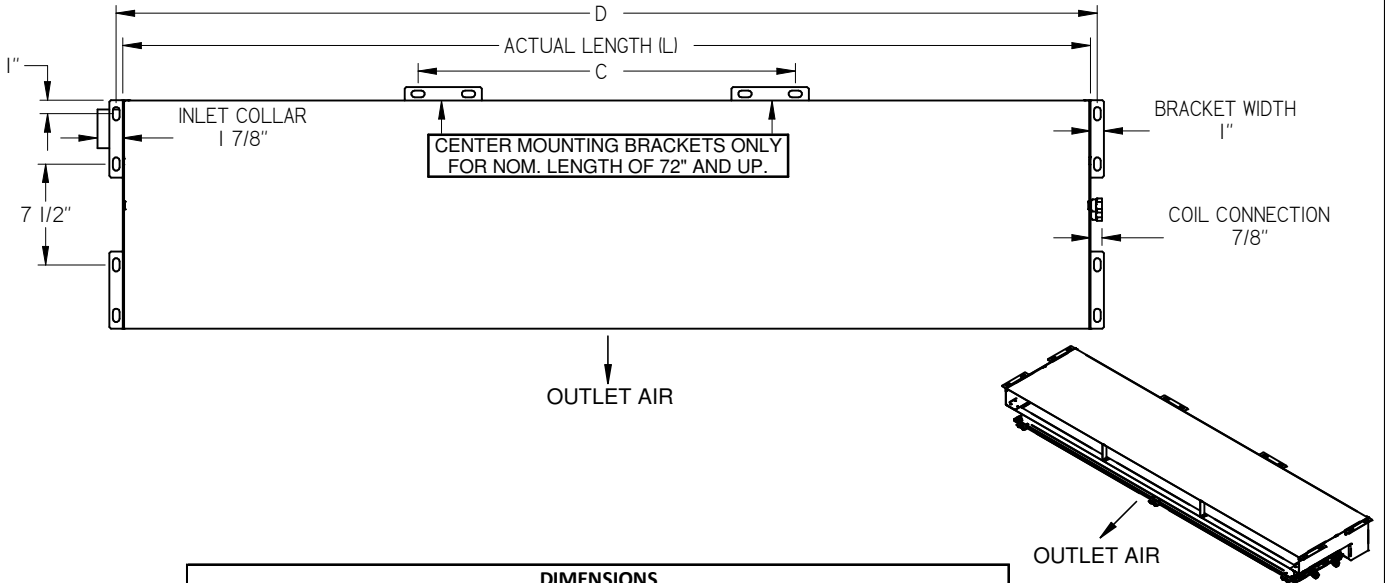
<b>PROJECT:</b>		<b>PRICE</b>	
<b>ENGINEER:</b>		<b>KHH</b>	<b>ACBR ACTIVE CHILLED BEAM RECESSED</b>
<b>CUSTOMER:</b>		268015	
<b>SUBMITTAL DATE:</b>	<b>SPEC. SYMBOL:</b>	2022/07/29	

**ACBR - ACTIVE CHILLED BEAM RECESSED**

MOUNTING BRACKETS FOR VU AND VD ORIENTATIONS



MOUNTING BRACKETS FOR H ORIENTATION



DIMENSIONS				
NOMINAL LENGTH	ACTUAL LENGTH (L)	VU, VD MOUNTING LENGTH (B)	CENTER MOUNTING DISTANCE (C)	H MOUNTING LENGTH (D)
24	24"	21 3/4"		25"
36	36"	33 3/4"		37"
48	48"	45 3/4"		49"
60	60"	57 3/4"		61"
72	72"	69 3/4"	28 1/16"	73"
84	84"	81 3/4"	31 1/2"	85"
96	96"	93 3/4"	34 15/16"	97"

**PROJECT:**

**ENGINEER:**

**CUSTOMER:**

**SUBMITTAL DATE:**

**SPEC. SYMBOL:**



**KHH**

268015

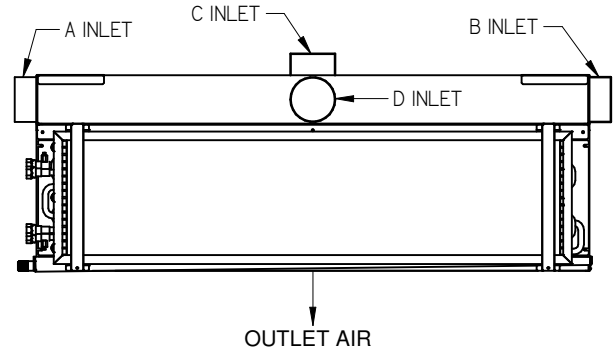
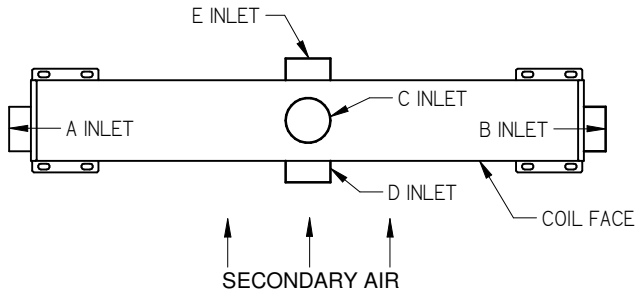
2022/07/29

**ACBR  
ACTIVE CHILLED BEAM  
RECESSED**

**ACBR - ACTIVE CHILLED BEAM RECESSED**

**INLET LOCATION OPTIONS:**

- A - SIDE A
- B - SIDE B
- C - SIDE C
- D - SIDE D
- E - SIDE E

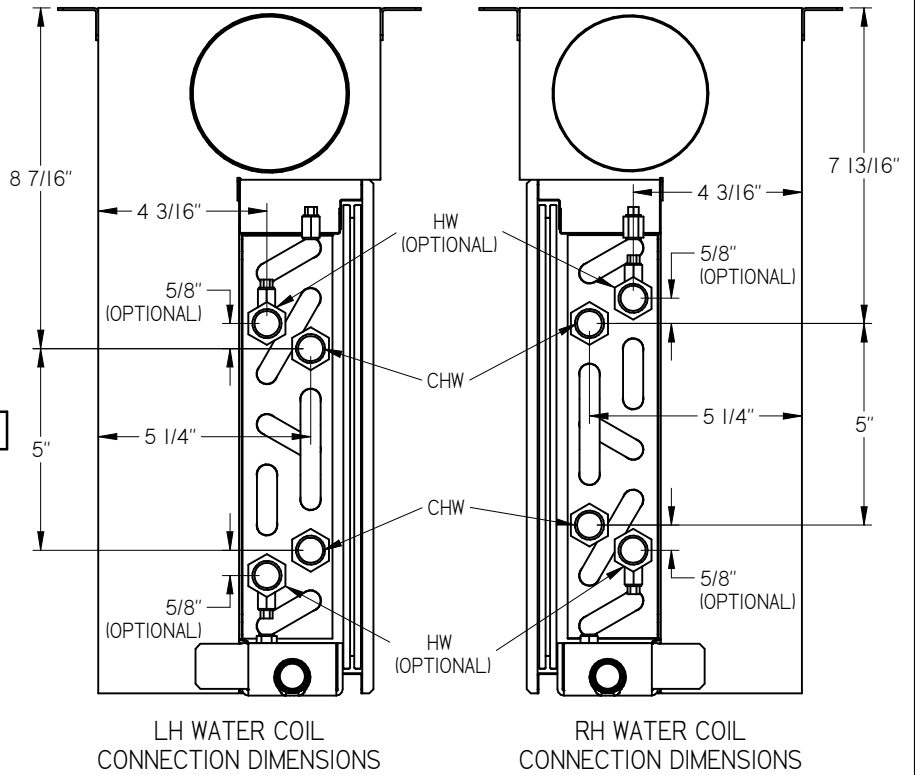
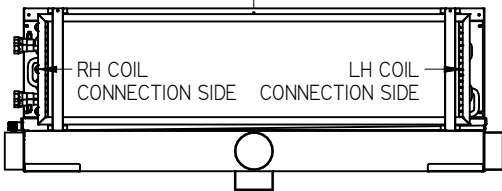
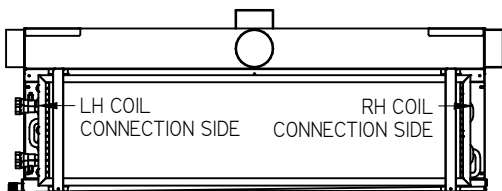


**COIL LOCATION:**

- LH - LEFT HAND
- RH - RIGHT HAND

\* HAND CONFIGURATION IS DETERMINED BY VIEWING THE UNIT LOOKING TOWARDS WATER COIL WITH THE OUTLET AIR DIRECTED DOWNWARDS.

\*COIL CONNECTION AND DRAIN PAN CONNECTION ARE ALWAYS ON THE SAME SIDE.



COLD PIPE CONNECTION DIMENSIONS ARE CONSISTENT THROUGHOUT ALL COIL TYPES.

**PROJECT:**

**ENGINEER:**

**CUSTOMER:**

**SUBMITTAL DATE:**

**SPEC. SYMBOL:**



**KHH**

268015

2022/07/29

**ACBR  
ACTIVE CHILLED BEAM  
RECESSED**

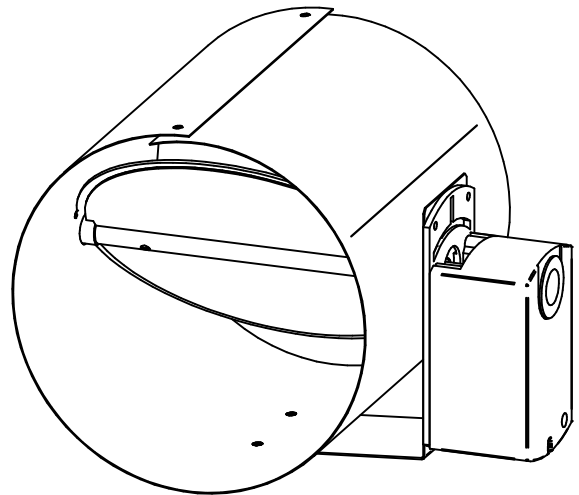
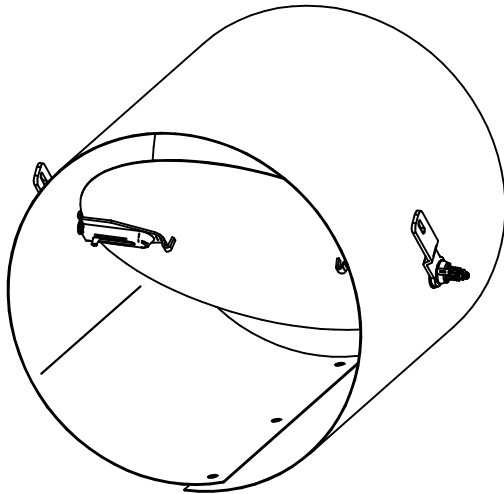
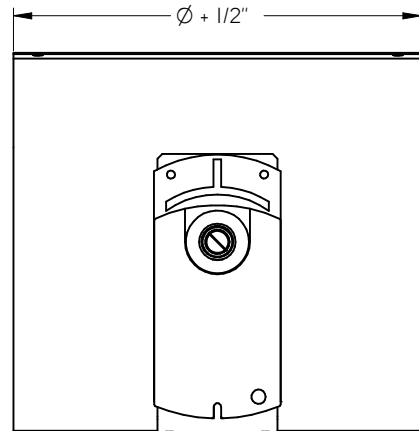
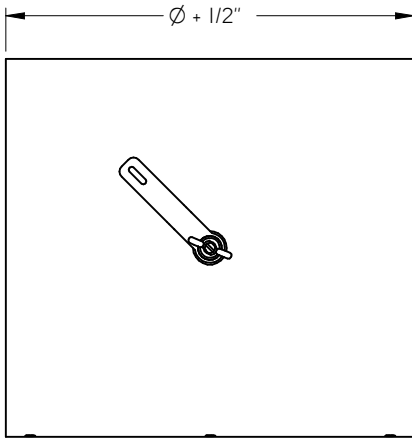
**ACBR - ACTIVE CHILLED BEAM RECESSED**

**INLET DAMPER (SHIPPED LOOSE):**

(DAMPERS SHOULD NOT BE MOUNTED DIRECTLY TO THE INLET AND SHOULD ONLY BE USED FOR TRIMMING AIRFLOW)

- MQ4 - 4" DAMPER W/ MANUAL LOCKING QUADRANT
- MQ5 - 5" DAMPER W/ MANUAL LOCKING QUADRANT
- MQ6 - 6" DAMPER W/ MANUAL LOCKING QUADRANT

- VAV4 - 4" DAMPER W/ 24VAC FLOATING POINT ACTUATOR
- VAV5 - 5" DAMPER W/ 24VAC FLOATING POINT ACTUATOR
- VAV6 - 6" DAMPER W/ 24VAC FLOATING POINT ACTUATOR



**PROJECT:**



**ENGINEER:**

**KHH**

**CUSTOMER:**

268015

**ACBR**  
**ACTIVE CHILLED BEAM**  
**RECESSED**

**SUBMITTAL DATE:**

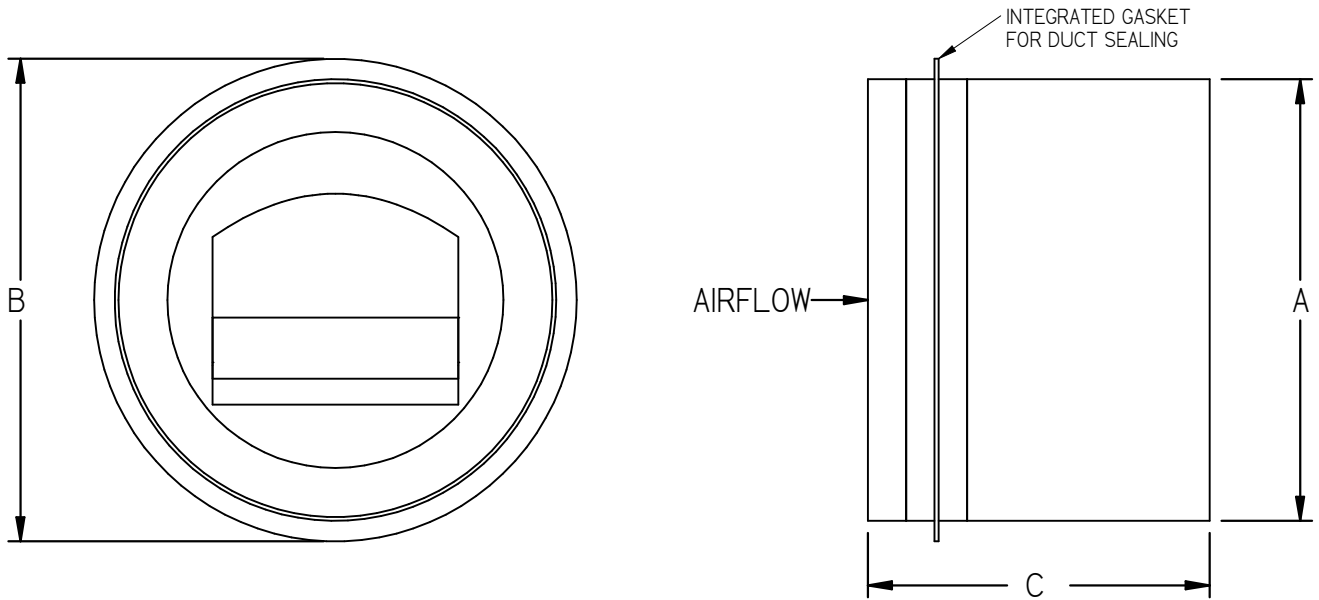
**SPEC. SYMBOL:**

2022/07/29

**ACBR - ACTIVE CHILLED BEAM RECESSED**

**VOLUME FLOW REGULATOR OPTIONS (SHIPPED LOOSE):**

- |  |  |  |
|--|--|--|
| <input type="checkbox"/> NONE (DEFAULT)                | <input type="checkbox"/> VFR5-35 - 5" DUCT VFR, 35 CFM   | <input type="checkbox"/> VFR6-75 - 6" DUCT VFR, 75 CFM   |
| <input type="checkbox"/> VFR4-10 - 4" DUCT VFR, 10 CFM | <input type="checkbox"/> VFR5-50 - 5" DUCT VFR, 50 CFM   | <input type="checkbox"/> VFR6-90 - 6" DUCT VFR, 90 CFM   |
| <input type="checkbox"/> VFR4-20 - 4" DUCT VFR, 20 CFM | <input type="checkbox"/> VFR5-60 - 5" DUCT VFR, 60 CFM   | <input type="checkbox"/> VFR6-105 - 6" DUCT VFR, 105 CFM |
| <input type="checkbox"/> VFR4-25 - 4" DUCT VFR, 25 CFM | <input type="checkbox"/> VFR5-75 - 5" DUCT VFR, 75 CFM   | <input type="checkbox"/> VFR6-125 - 6" DUCT VFR, 125 CFM |
| <input type="checkbox"/> VFR4-30 - 4" DUCT VFR, 30 CFM | <input type="checkbox"/> VFR5-90 - 5" DUCT VFR, 90 CFM   | <input type="checkbox"/> VFR6-140 - 6" DUCT VFR, 140 CFM |
| <input type="checkbox"/> VFR4-35 - 4" DUCT VFR, 35 CFM | <input type="checkbox"/> VFR5-105 - 5" DUCT VFR, 105 CFM | <input type="checkbox"/> VFR6-160 - 6" DUCT VFR, 160 CFM |
| <input type="checkbox"/> VFR4-45 - 4" DUCT VFR, 45 CFM |  | <input type="checkbox"/> VFR6-175 - 6" DUCT VFR, 175 CFM |
| <input type="checkbox"/> VFR4-50 - 4" DUCT VFR, 50 CFM |  |  |
| <input type="checkbox"/> VFR4-60 - 4" DUCT VFR, 60 CFM |  |  |



Duct Size	A	B	C	AIRFLOW SELECTIONS (CFM)
4" (100)	3.800	4.100	2.300	10, 20, 25, 30, 35, 45, 50, 60
5" (125)	4.800	5.100	3.500	35, 50, 60, 75, 90, 105
6" (150)	5.800	6.100	3.500	75, 90, 105, 125, 140, 160, 175

**STANDARD CONSTRUCTION:**

- BLACK ABS PLASTIC, UL94V-0 RATED
- UL2043 LISTED
- SIZED TO FIT INSIDE STANDARD RIGID ROUND DUCTING
- INTEGRATED GASKET FOR SEALING AGAINST INSIDE OF DUCT

**PERFORMANCE:**

- CONTROLS AIRFLOW WITHIN 10% OF RATED FLOW (15% FOR UNITS 50CFM OR LESS) FOR 0.2" TO 0.8" W.C.

<b>PROJECT:</b>		<b>PRICE</b>
<b>ENGINEER:</b>		
<b>CUSTOMER:</b>		<b>KHH</b>
<b>SUBMITTAL DATE:</b>		268015
<b>SPEC. SYMBOL:</b>		<b>ACBR ACTIVE CHILLED BEAM RECESSED</b>
		2022/07/29